

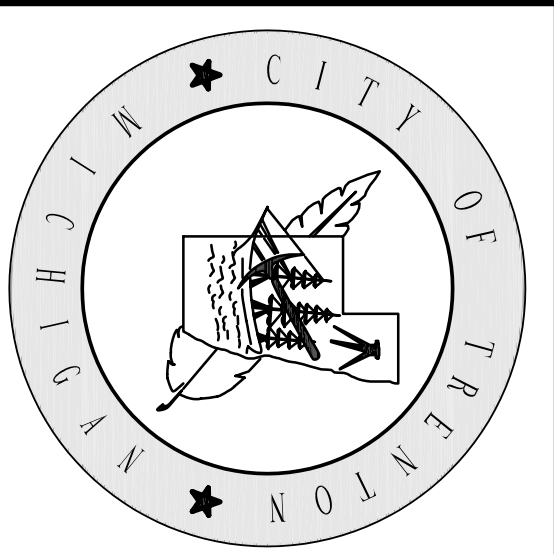
NOTES

BENCH MARKS



PUBLIC OR PRIVATE UTILITIES AS SHOWN ON THESE DRAWINGS ARE NOT GUARANTEED AS TO ACCURACY FOR LOCATION OR DEPTH. BEFORE COMMENCING ANY WORK ON THIS PROJECT, IT IS THE CONTRACTOR'S RESPONSIBILITY TO FIELD VERIFY THE LOCATION AND DEPTH OF ALL UTILITIES IN CONTACT WITH PROPOSED IMPROVEMENTS AND TO CONTACT ANY AGENCY FOR NECESSARY INFORMATION. ANY REPAIR OR RESULT OF DAMAGE DONE TO UTILITIES IS THE CONTRACTOR'S RESPONSIBILITY.

DATE	REVISIONS

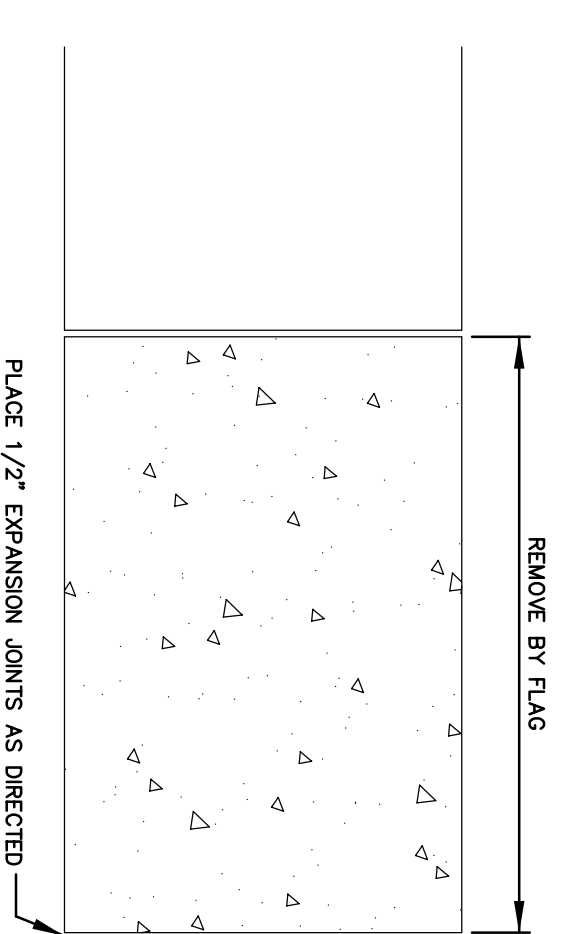
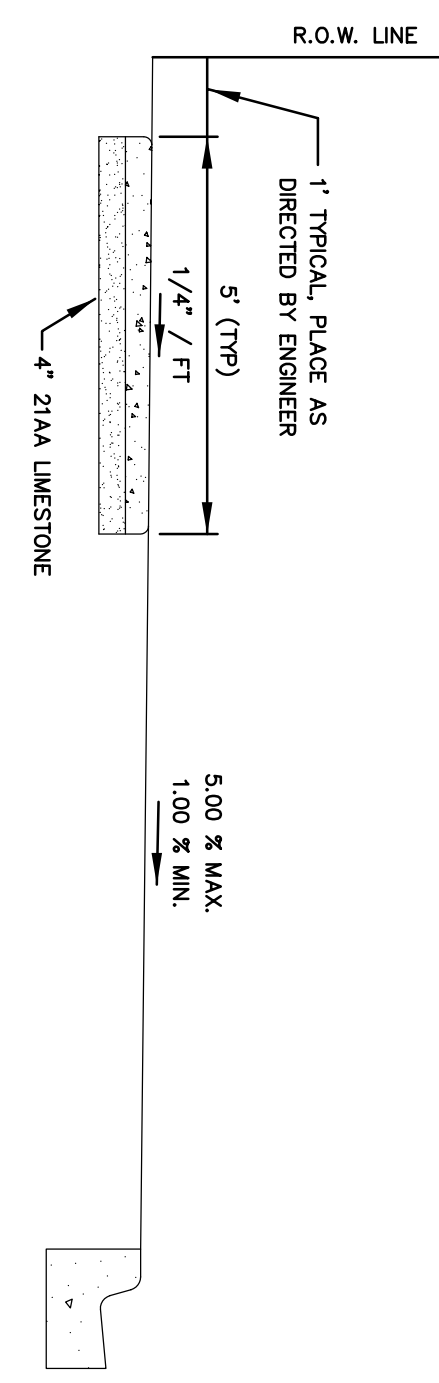


CITY OF TRENTON
WAYNE COUNTY, MICHIGAN
 ENGINEERING & BUILDING DEPARTMENT
 2801 THIRD STREET - TRENTON, MI 48183
 PHONE: (734) 625-5251 FAX: (734) 625-5504
 CITY ENGINEER - WILLIAM R. HOGAN, P.E.

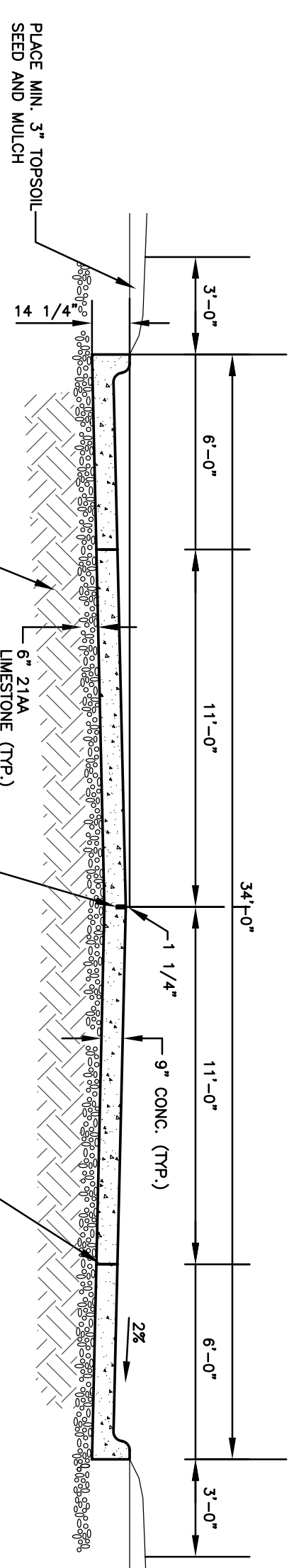
DESIGNED BY	DATE
MAI	2-18-05
APPROVED BY	DATE
WRH	
FILE NAME	MD-1.dwg
SCALE	NONE

STANDARD
PAVEMENT DETAILS

SHEET
MD-1

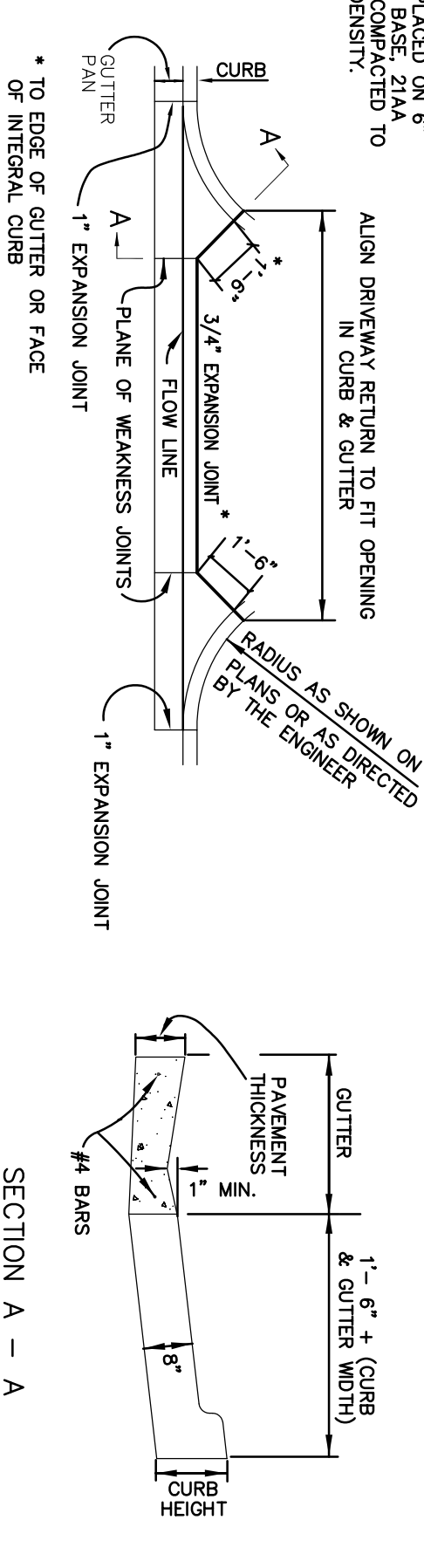
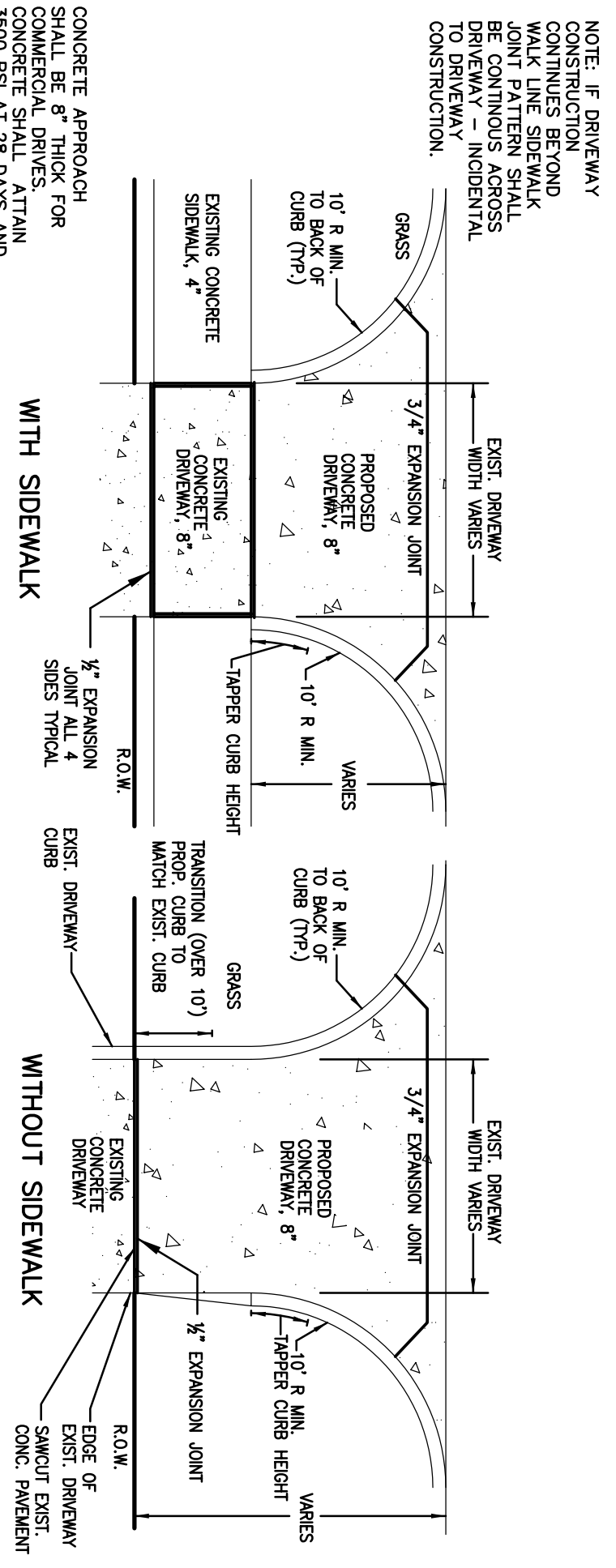
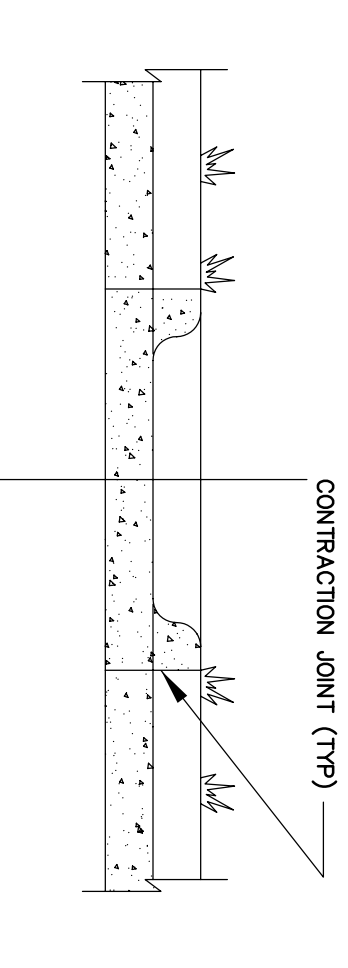
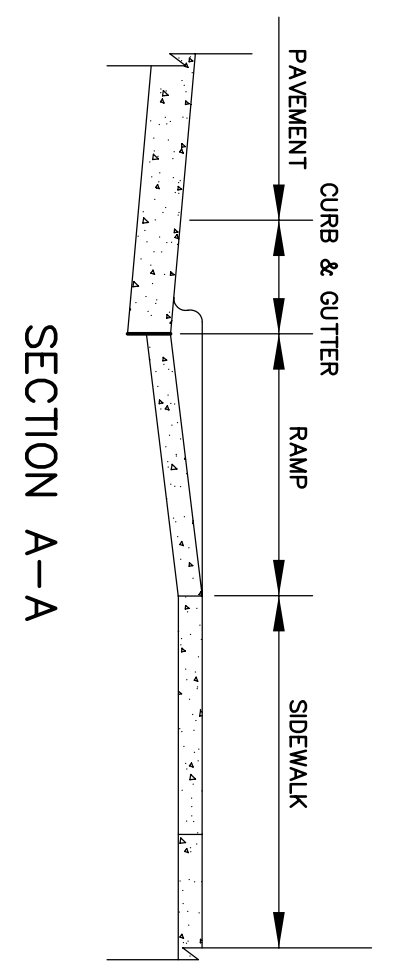


SIDEWALK-SECTION
 NO SCALE

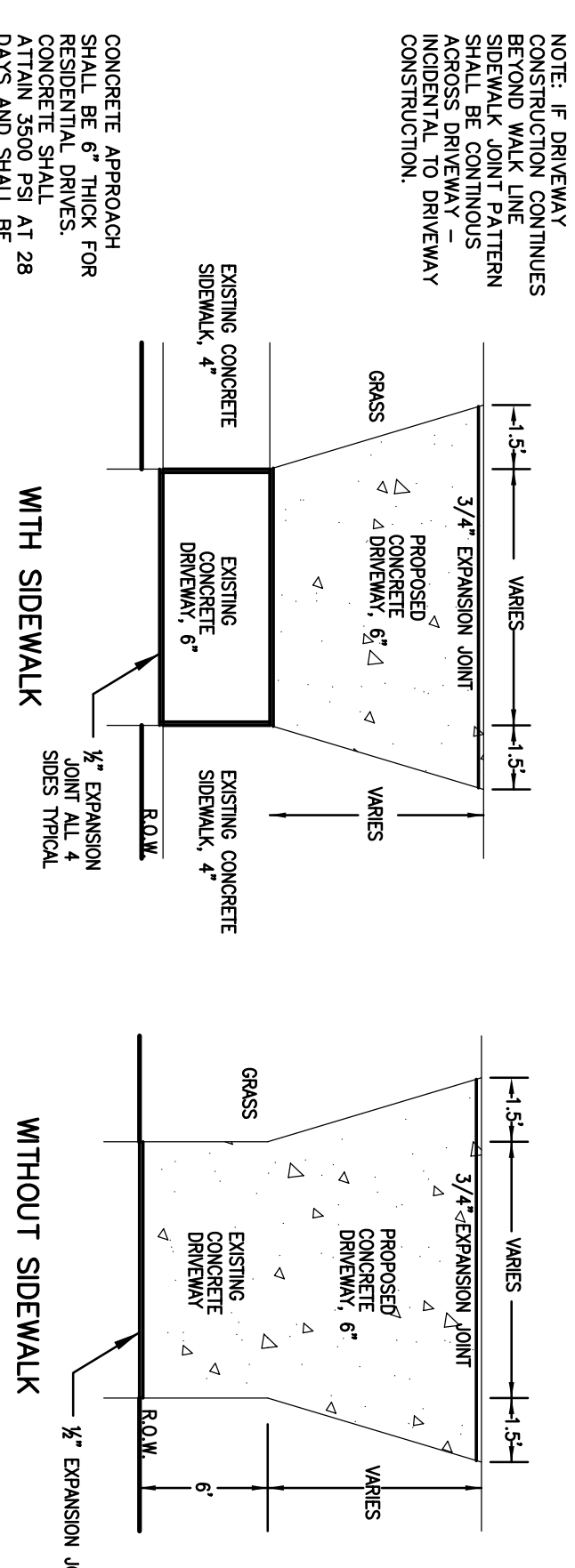


**34\"/>
 NO SCALE**

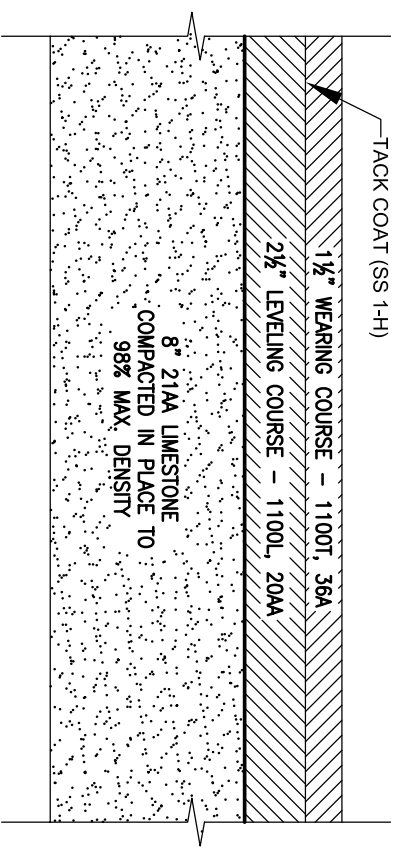
NOTES:
 EXPANSION JOINTS TO BE 1/2\"/>
 SIDEWALK TO PITCH FROM BACK OF WALK TO CURB 3/8\"/>
 PER FOOT. ALL CONCRETE TO BE 3500 PSI.
 ALL CONCRETE SHALL BE STAMPED WITH COMPANY NAME AND PRESENT YEAR.
 ALL DRIVE APPROACH OPENINGS (R) SHALL BE EQUAL TO DRIVE WIDTH (W) PLUS 3 FEET (R=W+3').
 ALL SIDEWALK RAMPS TO MEET ADA SLOPE REQUIREMENTS OF 3/4\"/>
 PER FOOT (MAXIMUM 1\"/>
 PER FOOT). ALL SIDEWALK RAMPS TO BE 5\"/>
 WIDE WALKING SURFACE.
 DRIVEWAY APPROACHES AND SIDEWALKS CROSSING DRIVEWAYS SHALL HAVE A 6\"/>
 BASE OF 2 1/4\"/>
 CRUSHED LIMESTONE.



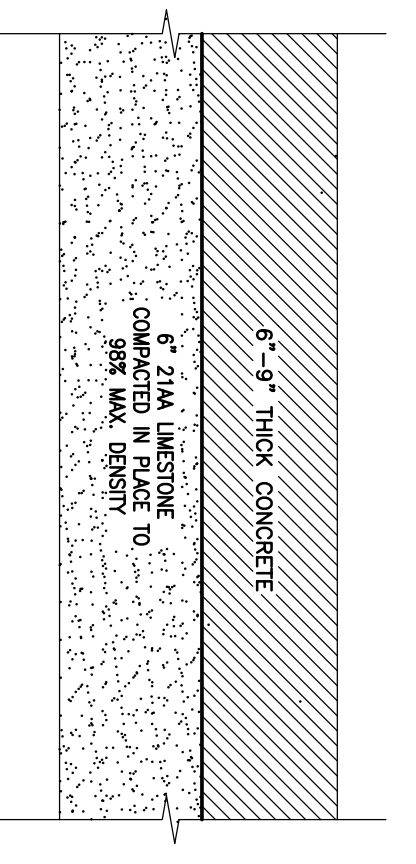
TYPICAL COMMERCIAL DRIVEWAY
 NO SCALE



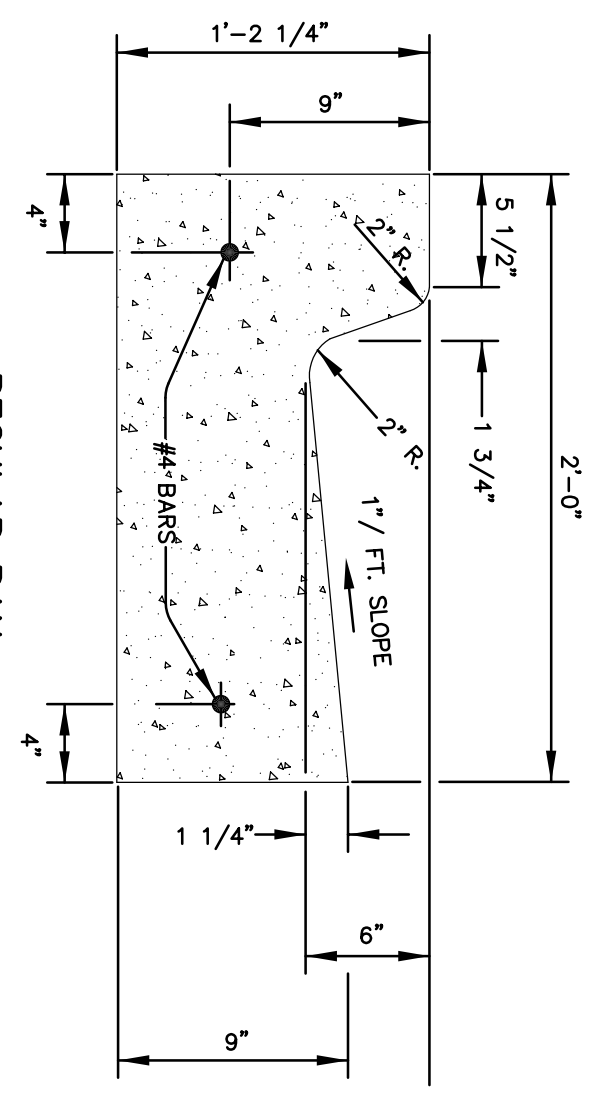
TYPICAL RESIDENTIAL DRIVEWAY
 NO SCALE



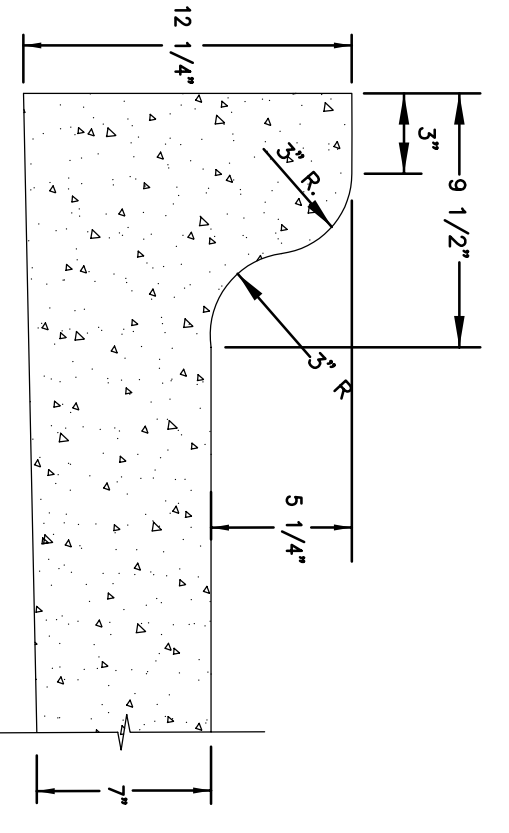
ASPHALT PAVEMENT SECTION
 NO SCALE



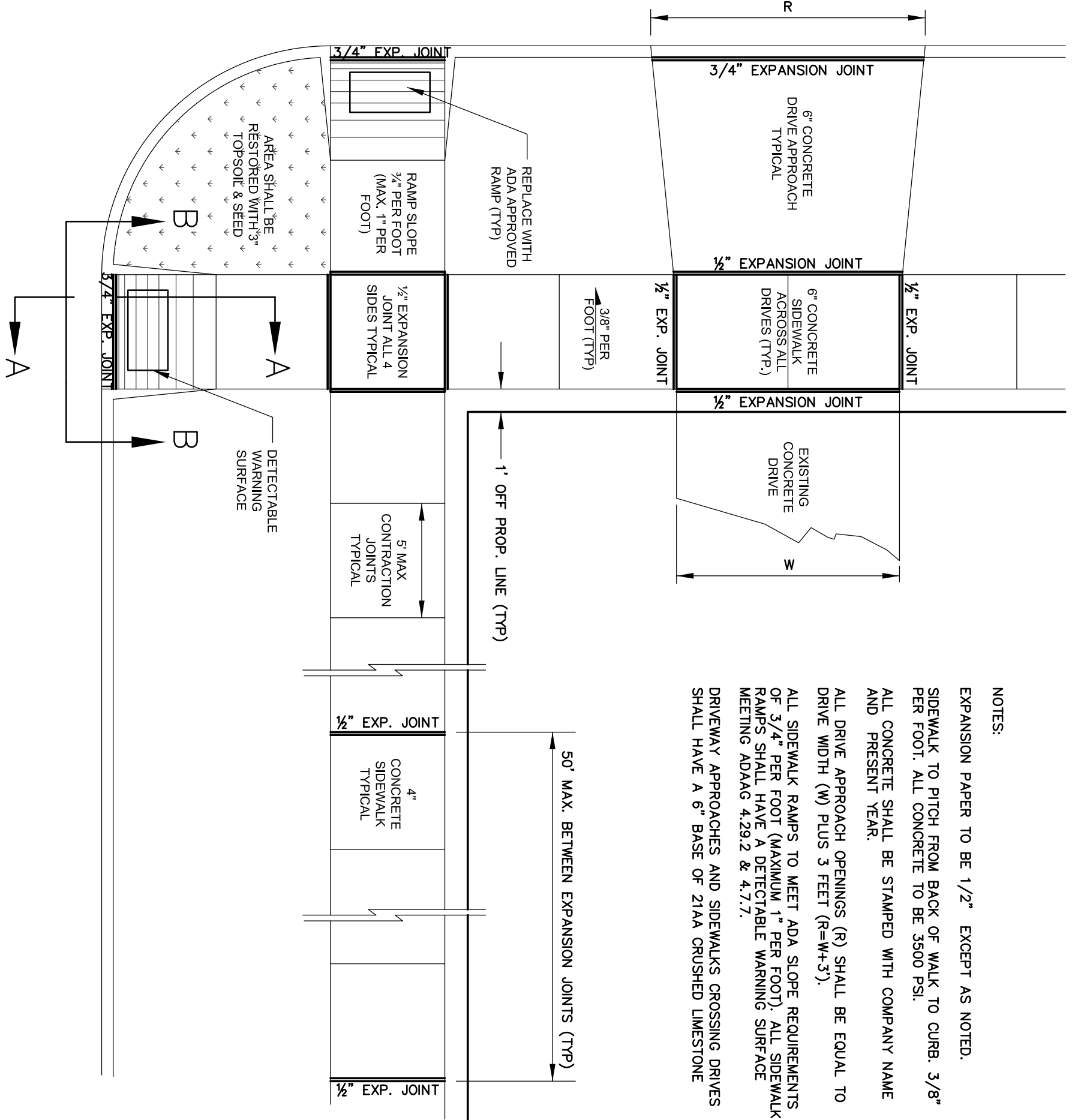
CONCRETE PAVEMENT SECTION
 NO SCALE



**6\"/>
 NO SCALE**



INTEGRAL CURB DETAIL
 NO SCALE



SIDEWALK RAMP DETAIL
 NO SCALE